

---

# **FnIO G – Series :**

## ***GT-2618***

***GT-2618(8 Channels, Sink Output Terminal, 24Vdc/2A)***

Date: 2016.08.29

# Specification

## Table of Contents

Table of Contents..... 2

History.....3

1.ENVIRONMENTSPECIFICATION..... 4

2.GT-2618(8 Channels Source Output Terminal)..... 5

    2.1.GT-2618Specification ..... 5

    2.2.GT-2618Wiring Diagram..... 6

    2.3.GT-2618LED Indicator..... 7

        2.3.1.LED Indicator.....7

        2.3.2.Channel Status LED..... 7

        2.3.3.Mapping data into the image table.....8

    2.4.Parameter Data.....8

## History

REV.	PAGES	REMARKS	DATE	Editor
Preliminary		Preliminary	Aug 29, 2016	Lee, Jeongmin

# Specification

## 1. ENVIRONMENT SPECIFICATION

<b>Environment specification</b>	
Operating Temperature	-40°C~70°C
UL Temperature	-20°C~60°C
Storage Temperature	-40°C~85°C
Relative Humidity	5% ~ 90% non-condensing
Mounting	DIN rail
<b>General specification</b>	
Shock Operating	IEC 60068-2-27
Vibration Resistance	Based on IEC 60068-2-6 Sine Vibration <ul style="list-style-type: none"> <li>- 5 ~ 25Hz : ±1.6mm</li> <li>- 25 ~ 300Hz : 4g</li> <li>- Sweep Rate : 1 Oct/min, 20 Sweeps</li> </ul> Random Vibration <ul style="list-style-type: none"> <li>- 10 ~ 40 Hz : 0.0125 g<sup>2</sup>/Hz</li> <li>- 40 ~ 100 Hz : 0.0125 → 0.002 g<sup>2</sup>/Hz</li> <li>- 100 ~ 500 Hz : 0.002 g<sup>2</sup>/Hz</li> <li>- 500 ~ 2000 Hz : 0.002 → 1.3 x 10<sup>-4</sup>g<sup>2</sup>/Hz</li> <li>- Test time : hrs for each test</li> </ul>
Industrial Emissions	EN 61000-6-4/A11 : 2011
Industrial Immunity	EN 61000-6-2 : 2005
Installation Position	Vertical and horizontal installation is available.
Product Certifications	CE, UL

# Specification

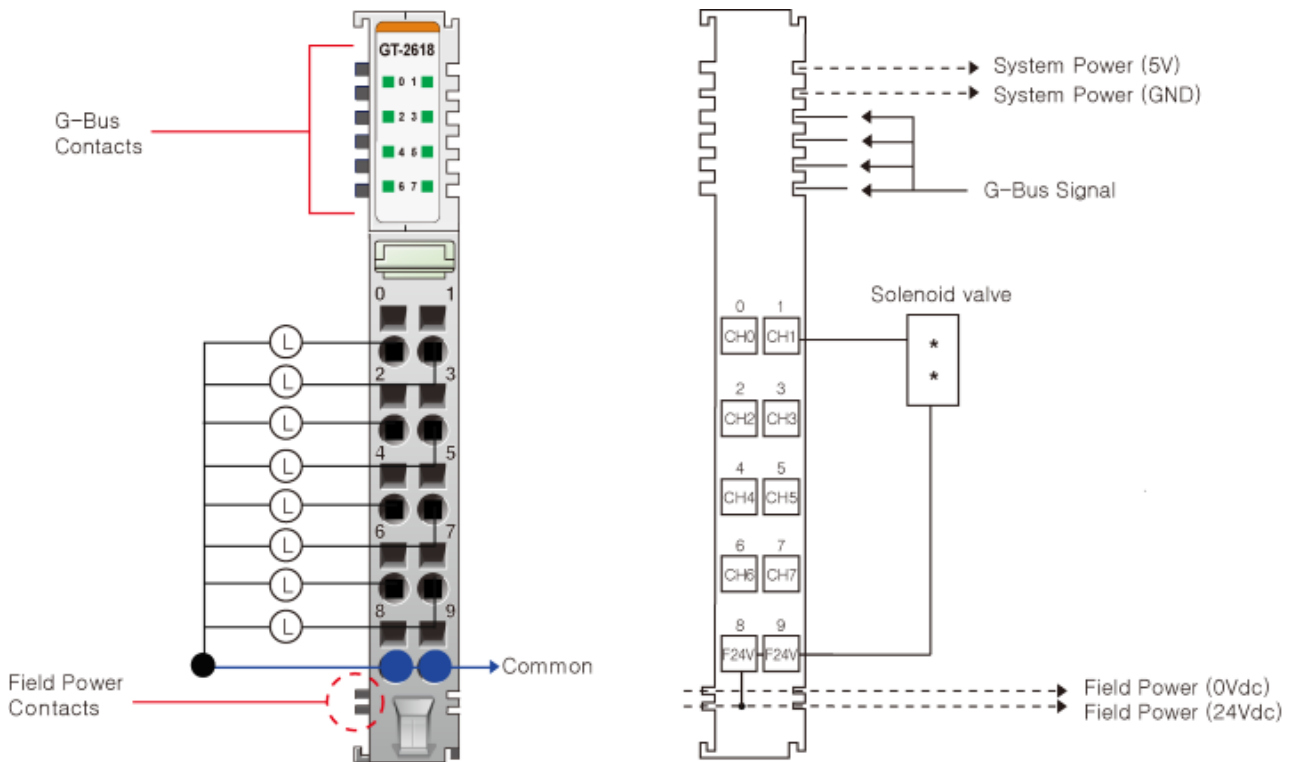
## 2. GT-2618 (8 Channels Sink Output Terminal)

### 2.1. GT-2618 Specification

Items	Specification
<b>Output Specification</b>	
Output per module	8 Points Sink type
Indicators (Logic side)	8 Green output state
Output Voltage Range	Nominal 24Vdc, Min. 11Vdc to Max. 28.8Vdc
ON-state voltage drop	Max. 1Vdc @ 25°C
ON-State Min. Current	1mA per channel
OFF-State Leakage current	Max. 150uA
Output Signal Delay	OFF to ON : 0.3ms maximum ON to OFF : 0.3ms maximum
Output Current Rating	Max. 2A per channel  Operating Temperature -40°C~50°C : Max. 10A per unit 50°C~60°C : Max. 7A per unit 60°C~70°C : Max. 4.8A per unit
COMMON Type	8 points / Internal 2Com
<b>General specification</b>	
Power dissipation	50mA maximum @ 5.0Vdc
Isolation	I/O to Logic : isolation Field power : Non-isolation
Field Power	Supply voltage : 24Vdc nominal Voltage range : 15V~32V Power dissipation: 30mA @24Vdc
Wiring	I/O Cable Max. 2.0mm <sup>2</sup> (AWG 14)
Weight	70g
Module Size	12mm x 99mm x 70mm
<b>Environment Condition</b>	<b>Refer to '1. Environment Specification'</b>

# Specification

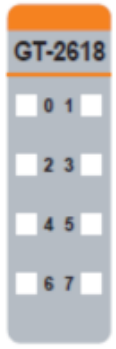
## 2.2. GT-2618 Wiring Diagram



Pin No.	Signal Description	Signal Description	Pin No.
0	Output Channel 0	Output Channel 1	1
2	Output Channel 2	Output Channel 3	3
4	Output Channel 4	Output Channel 5	5
6	Output Channel 6	Output Channel 7	7
8	Common (Field Power 24V)	Common (Field Power 24V)	9

## 2.3. GT-2618 LED Indicator

### 2.3.1. LED Indicator



LED No.	LED Function / Description	LED Color
0	OUTPUT Channel 0	Green
1	OUTPUT Channel 1	Green
2	OUTPUT Channel 2	Green
3	OUTPUT Channel 3	Green
4	OUTPUT Channel 4	Green
5	OUTPUT Channel 5	Green
6	OUTPUT Channel 6	Green
7	OUTPUT Channel 7	Green

### 2.3.2. Channel Status LED

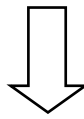
Status	LED	To indicate
Not Signal	Off	Normal Operation
On Signal	Green	Normal Operation

# Specification

## 2.3.3. Mapping data into the image table

- Output Image Value

Bit No	Bit7	Bit6	Bit5	Bit4	Bit3	Bit2	Bit1	Bit0
Byte0	D7	D6	D5	D4	D3	D2	D1	D0



- Output Module Data

D7	D6	D5	D4	D3	D2	D1	D0
----	----	----	----	----	----	----	----

## 2.4. Parameter Data

- Valid Parameter length: 2 Bytes
- Parameter Data

Bit No	Bit7	Bit6	Bit5	Bit4	Bit3	Bit2	Bit1	Bit0
Byte0	Fault Action (ch0~ch7) 0: Fault value, 1:Hold last state							
Byte1	Fault value (ch0~ch7) 0:Off, 1:On							